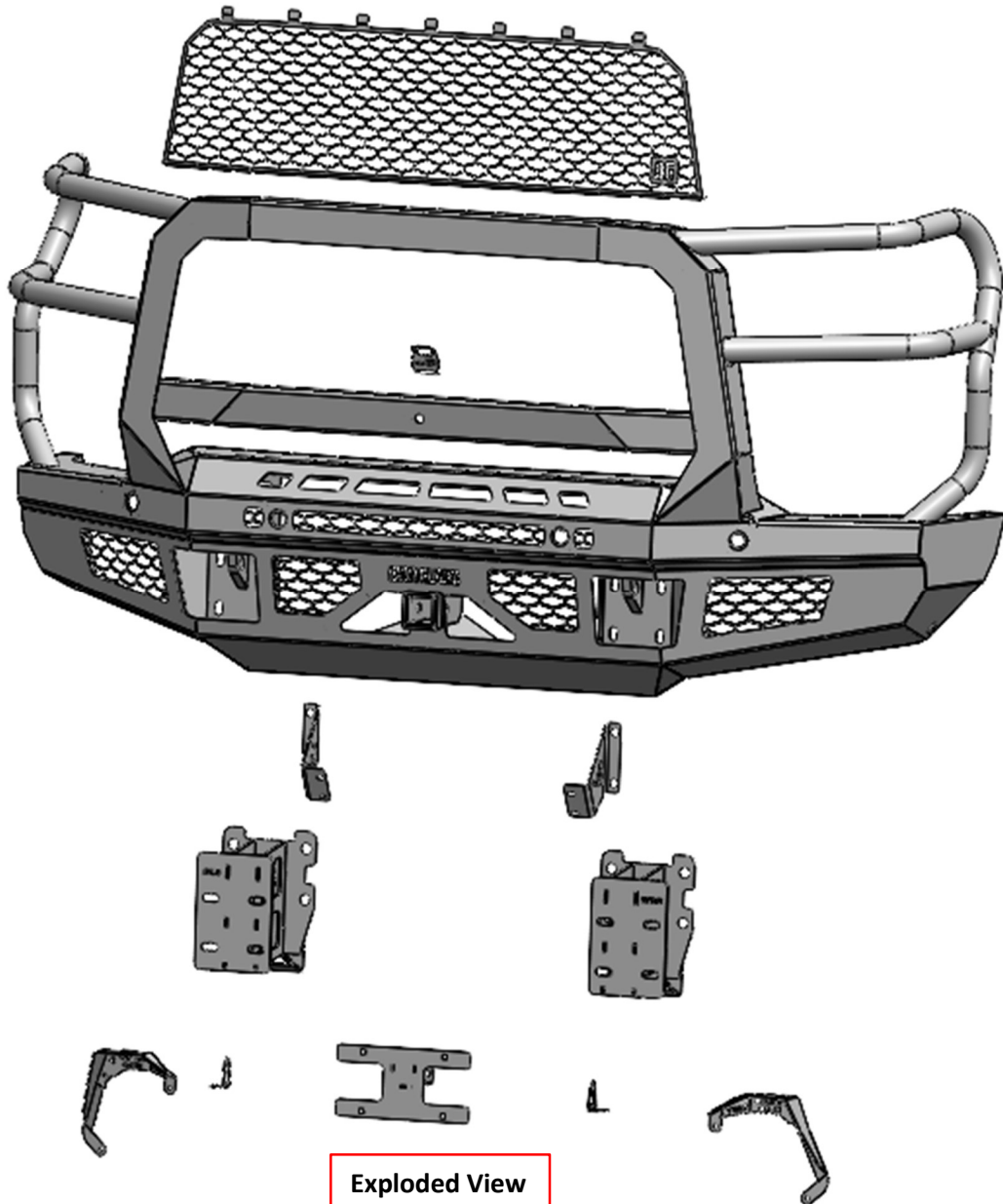
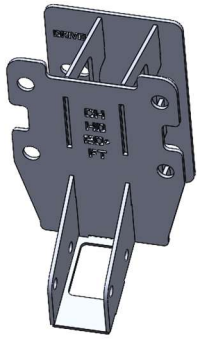


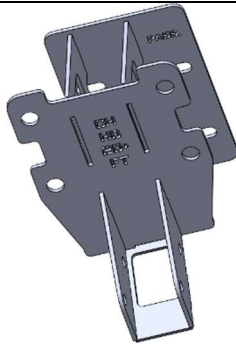
# INSTALLATION GUIDE

## PARTS

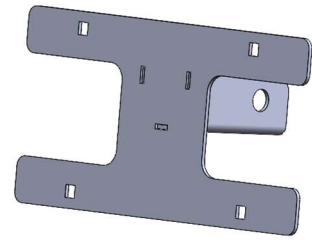




Driver Side Truck Mount



Passenger Side Truck Mount



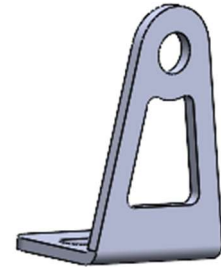
Receiver License Plate Bracket



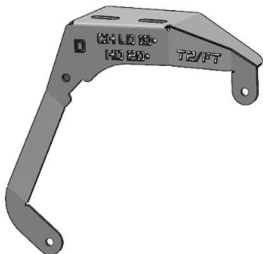
Driver Side Intercooler Mount



Passenger Side Intercooler Mount



Light Bar Mount x2



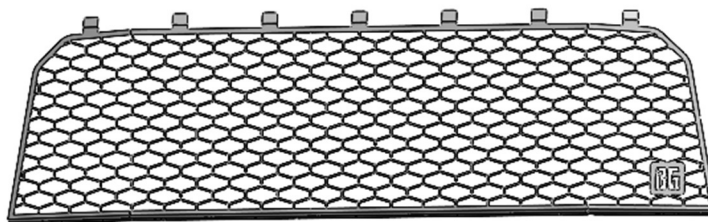
Driver Side Fog Light Mount



Passenger Side Fog Light Mount



Camera Bracket



Extreme Guard Mesh

# HARDWARE

<b>FT-HK-GGC</b>	<b><u>Grill Guard Camera</u></b>	<b><u>Qty</u></b>
	1/4-20 x 5/8 Long, Stainless Steel SBHCS	2
	1/4-20 Hex Grade 5 Serrated Flange Nut, Stainless Steel	2
<b>FT-HK-GGM</b>	<b><u>Grill Guard Mesh</u></b>	<b><u>Qty</u></b>
	1/4-20 x 5/8 Long, Stainless Steel SBHCS	4
	1/4-20 Hex Grade 5 Serrated Flange Nut, Stainless Steel	4
<b>FT-HK-FLP</b>	<b><u>FT Front License Plate</u></b>	<b><u>Qty</u></b>
	Plastic License Plate Nuts	4
	#14 x 5/8" Zinc License Plate Screw	4
<b>FT-HK-LBM</b>	<b><u>FT Front Light Bar Mount</u></b>	<b><u>Qty</u></b>
	1/4-20 Hex Grade 5 Serrated Flange Nut, Stainless	2
	1/4" Zinc Grade 5 Flat Washer	2
	1/4-20 x 3/4" Long, Stainless Steel SBHCS	2

<b>FT-HK-CFL20</b>	<b><u>FT Front Mount Kit 2020+ Chevy HD</u></b>	<b><u>Qty</u></b>
	1/2" Washer, Grade 8 Zinc-Yellow	16
	1/2"-13 x 1-1/4" Black Hex Bolt	8
	1/2"-13 x 1-1/2" Zinc Tear Drop Bolt (Hex)	8
	1/2" Black Flat Washer	8
	1/2"-13 Grade 8 Steel Serrated Flange Nut Zinc	16
	1/4-20 x 3/4 Long, Stainless Steel SBHCS	4
	1/4-20 Hex Grade 5 Serrated Flange Nut, Stainless	4
	5/16"-18 x 1" Zinc Grade 5 Hex Bolt	4
	5/16"-18 Zinc Grade 8 Serrated Hex Flange Nut	4
Sensor Plug 9696 27mm	4	
Camera Plug 9691 17mm	1	

# FACTORY FOG LIGHT INSTALL

1. Use two (2) of the provided 5/16"-18 x 1" Zinc Grade 5 Hex Bolts to install the fog light bracket to the fog light mount on the bumper.
2. Use two (3) of the provided 1/4"-20x5/8" Button Head Bolt – Stainless to install the fog light to the fog light bracket



(2) - 5/16"-16 x 1" Yellow Zinc Grade 8 Hex Bolt



(4) - 5/16" Yellow Zinc Grade 8 Flat Washer



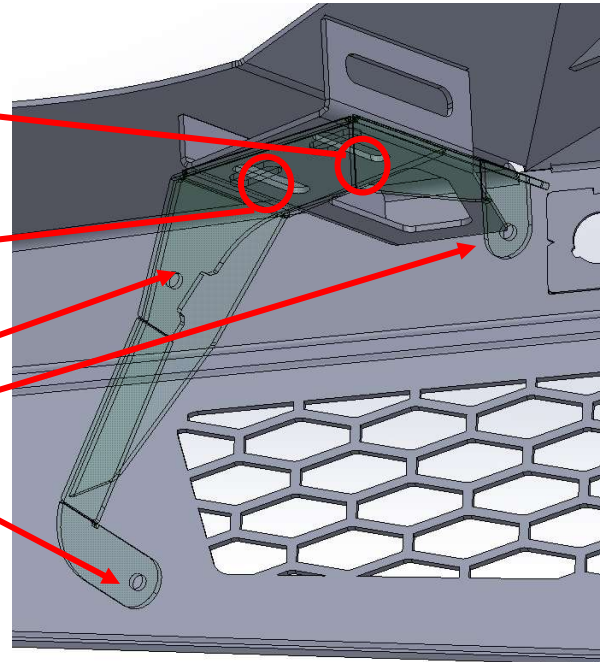
(2) - 5/16"-16 Zinc Grade 8 Serrated Hex Flange



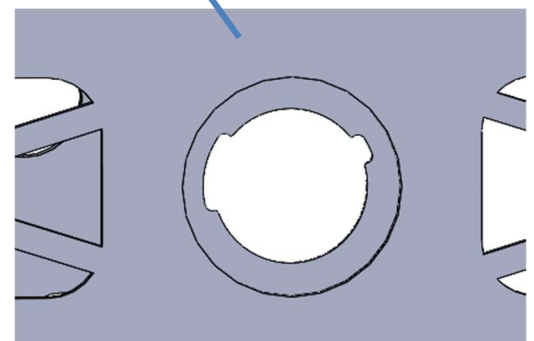
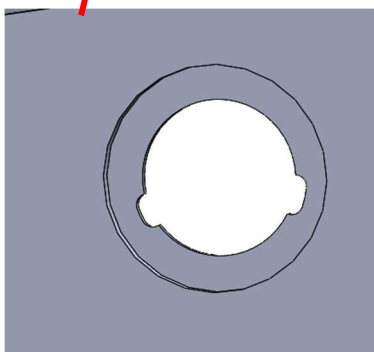
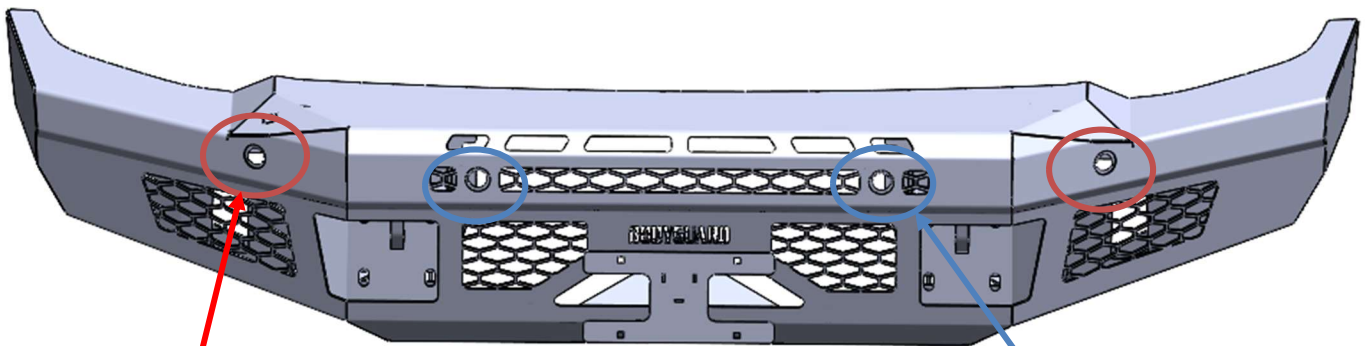
(3) - 1/4-20 x 5/8 Long, Stainless Steel SBHCS



(3) - 1/4-20 Hex Grade 5 Serrated Flange



# PARKING SENSOR INSTALL (OPTIONAL)



1. If your vehicle is equipped with parking sensors, use the factory sensors and bezels to install in the four ports indicated above. Note that the two outer ports have different notched configurations to correspond to the appropriate bezel.

# SENSOR PLUG INSTALL

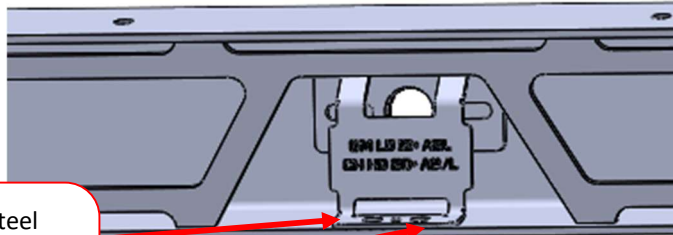
1. If your vehicle is not equipped with parking sensors, install the provided plugs and install them into the parking sensor holes. Install fog light pods onto the fog light buckets, then install the fog light buckets onto the bumper along with the sensor plate for the fog lights. Be sure to plug in the sensor to the harness before installing.



Parking sensor plug

# CAMERA INSTALL FOR EXTREME GUARD (OPTIONAL)

1. Install the camera with the provided bracket. This bracket will press the camera against the bumper.



(2) - 1/4-20 x 5/8 Long, Stainless Steel SBHCS



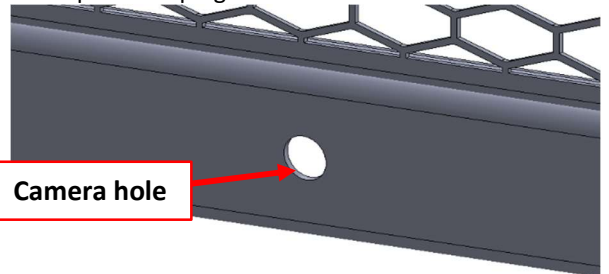
(2) - 1/4-20 Hex Grade 5 Serrated Flange

# CAMERA PLUG INSTALL

1. If your vehicle does not come equipped with a front camera, install the provided plug into the camera hole.



Camera plug

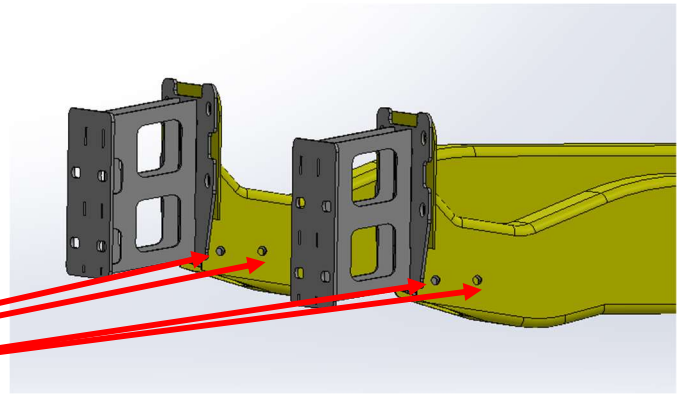
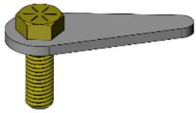


Camera hole

# MOUNT INSTALL

1. Attach the truck mounts with the 1/2"-13x 1-1/2" Zinc Tear Drop Bolt (Hex), leaving enough space to adjust as needed.

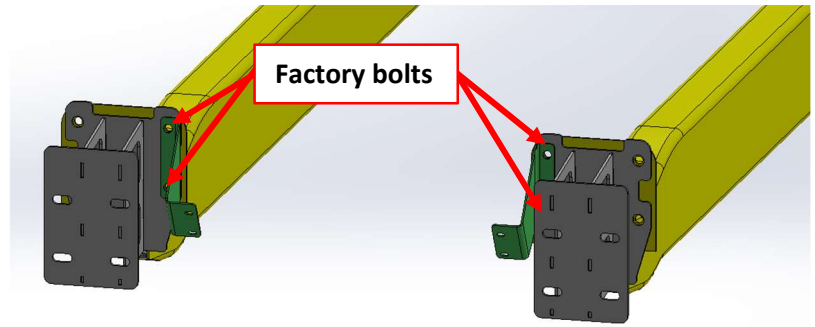
**Tear Drop Bolts**



1. Next install the shutter brackets onto the mounts. You will use the remaining factory bolts for this.



**Factory bolts  
GM #11569664**



**Factory bolts**

# ACTIVE AERO SHUTTERS

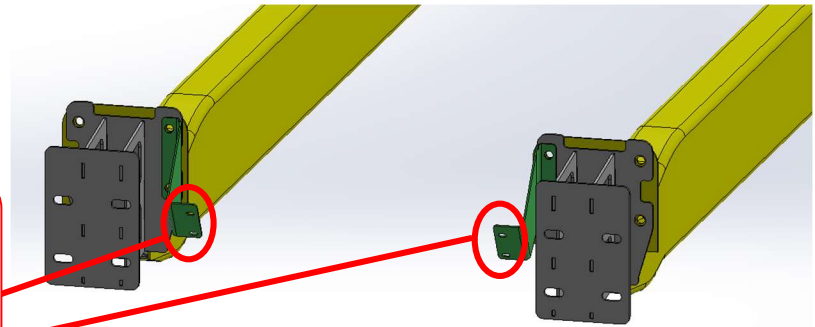
1. The Shutter System has a hook on the top that allows you to hang it and then mount using the supplied 1/4" x 3/4" bolt.



(4) - 1/4-20 x 3/4 Long, Stainless Steel SBHCS

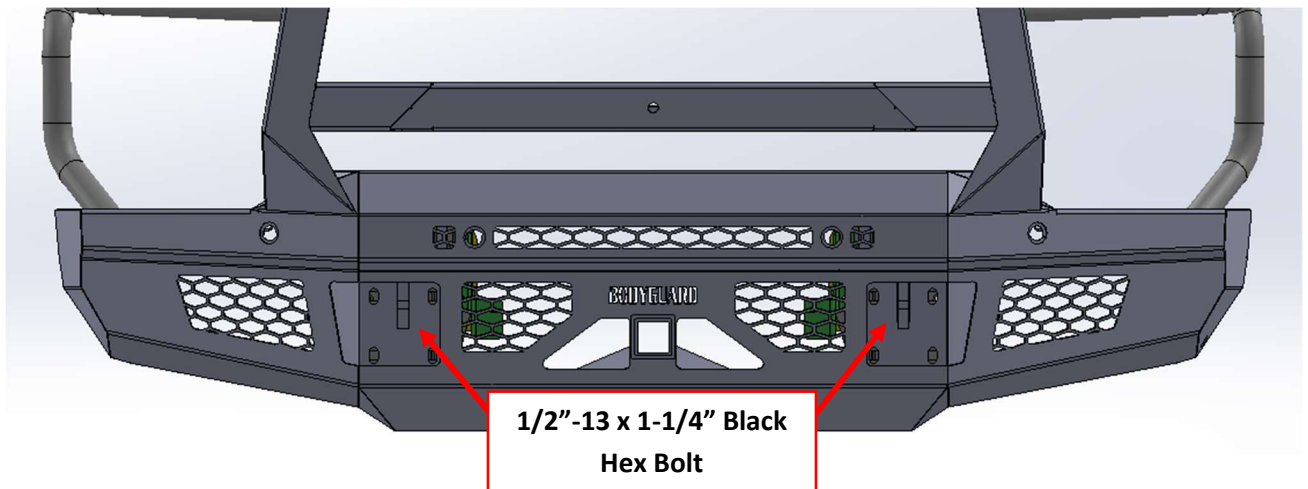


(4) - 1/4-20 Hex Grade 5 Serrated Flange Nut, Stainless Steel



# BUMPER INSTALL

1. Attach the bumper with the 1/2" black hardware, leaving enough space to adjust the bumper as needed into position. Once the bumper is lined up, tighten all hardware.



## SAFETY

### THE SAFETY OF YOU AND OTHERS IS VERY IMPORTANT TO US!

To minimize this risk and make an informed decision about safety, it is important that you carefully read and follow the installation instructions we have provided.

We urge you to use your own good judgment and allow plenty of time for installation.

## HAZARD CHECKLIST

1. Always wear personal protective equipment (PPE) such as: protective eye wear, gloves, close toed shoes, etc.
2. We recommend that you use a certified mechanic or shop for professional installation.
3. Always set emergency brakes on vehicle and use tire blocks to ensure vehicle stabilization.
4. Use caution when lifting, we recommend the use of equipment to help lift bumpers into place.
5. Use caution when using power tools such as air ratchet, etc.
6. Take caution when installing wiring.
7. Perform regular inspections of hardware, bolts, brackets, etc.
8. Rigid light brackets are specifically designed to fit Rigid lights, we do not guarantee off brand fitment.
9. Our winch mount is designed for Warn and Superwinch products. We do not guarantee off-brand fitment.

## USE & RISK

Bodyguard Products LLC is not responsible for damage to our products, or other subsequent damage that might occur because of misuse or improper installation. While we do manufacture products that appear stronger than factory parts, our products should not be viewed or relied upon as life-saving devices in the event of a collision or rollover. We make no claims relating to airbag compatibility, crashworthiness, or sturdiness. It is the customer's responsibility to check with the vehicle manufacturer or auto dealer regarding airbag compatibility and automobile manufacturer's warranty before installing our products.

## FINISHING UP

- Install shackles.
- Confirm that all hardware is tightened, and everything is secure.
- Secure wiring harnesses for lights and sensors.
- Test all lighting and wiring before using vehicle (fog lights, sensors, etc.).

## MAINTENANCE

- Periodically check that all hardware is tightened and that all wiring and connections are secure.
- Periodically check that all sensor plugs are secure.
- Routinely wash bumper to maintain the powder coat finish.

## FEEDBACK

We'd love to hear from you!

Please send your pictures, testimonials, comments, or suggestions to us by email at [info@bodyguardbumpers.com](mailto:info@bodyguardbumpers.com). We frequently use customer pictures for brochures and marketing materials, and we always welcome customer feedback to ensure quality improvements within our company. Thanks for your purchase; we appreciate your business very much!

Where **STRENGTH** Meets *Style!*™



@BodyguardBumpers